



**Experience Matters.**

-SALES -ACQUISITIONS -CONSULTING

**2009 PIAGGIO AVANTI II**

**SN: 1200**



Passengers

7



Cabin Dimensions  
14'9" L 6'0" W 5'7" H



Normal Cruise  
358 KTS



Range (full seats)  
1375 NM

# 2009 PIAGGIO AVANTI II SN 1200

## OVERVIEW

COLLINS PRO LINE 21

---

ENROLLED ON ESP GOLD

---

2018 PAINT & INTERIOR

---

GEAR OVERHAULED IN 2017

## AIRFRAME

TOTAL HOURS SINCE NEW	1042
AIRCRAFT CYCLES	799

## ENGINES

PT6A-66B (3600 Hour TBO)	LEFT	RIGHT
SERIAL NUMBER	PCE-RW0130	PCE-RW0127
TOTAL HOURS	1042 SNEW	1042 SNEW

## PROPELLERS

HARTZELL HC-E5N-3(AL)	LEFT	RIGHT
SERIAL NUMBER	KU-178	RG16
HOURS SINCE NEW	1042	82

## INSPECTION OVERVIEW

12MO INSPECTION C/W APR 2021  
24MO INSPECTION C/W JAN 2020  
LANDING GEAR OVERHAULED 2017



Specifications as of 1 November 2021. Specifications are provided as introductory information only and subject to verification upon inspection and should not provide a basis for reliance or create any other binding obligation. Verification of hours, installed equipment and aircraft condition is the sole responsibility of Purchaser or lessee. Some photos may be modified. Information has been provided by the Seller and has not been independently verified by Wetzel Aviation and Purchaser or lessee must rely on its own inspection.

**Experience Matters.**

+1 303 468 4800  
[Info@WetzelAviation.com](mailto:Info@WetzelAviation.com)  
[www.WetzelAviation.com](http://www.WetzelAviation.com)

# 2009 PIAGGIO AVANTI II SN 1200

## AVIONICS

Collins Pro Line 21 Avionics Suite  
Dual Collins AHC-3000 AHRS  
Dual Collins ADC-3000 Air Data System  
Collins ADC-85A Air Data Computer  
Collins DBU5010E Data Loader  
Dual Collins VHF-4000 COMMS  
Collins DME-4000 w/ GPS-4000S  
Collins ALT-4000 Radio-Altimeter  
Collins FMC-3000 Flight Management System  
Dual Collins TDR-94D Mode S Transponders  
ADS-B OUT

Collins FGP-3000 Flight Guidance Panel  
Reduced Vertical Separation Minimums (RVSM)  
Automatic Direction Finder Antenna (ADF)  
Electronic Flight Instrument System (EFIS)  
L3Harris FA2100 Cockpit Voice Recorder (120min)  
Collins RTA-852 Color Turbulence Weather Radar  
Collins XMWR-1000 XM Weather Provisions  
Collins VIR-32 Navigation Receiver  
L3Harris Class B TAWS-8000  
L3Harris Skywatch TCAS-I

## ADDITIONAL FEATURES

Single Point Refueling  
AirCell ST-3100 SATCOM  
P-180 Increased Maximum Take-off Weight (MTOW) 12100 LBS



Specifications as of 1 November 2021. Specifications are provided as introductory information only and subject to verification upon inspection and should not provide a basis for reliance or create any other binding obligation. Verification of hours, installed equipment and aircraft condition is the sole responsibility of Purchaser or lessee. Some photos may be modified. Information has been provided by the Seller and has not been independently verified by Wetzel Aviation and Purchaser or lessee must rely on its own inspection.

**Experience Matters.**

+1 303 468 4800  
[Info@WetzelAviation.com](mailto:Info@WetzelAviation.com)  
[www.WetzelAviation.com](http://www.WetzelAviation.com)

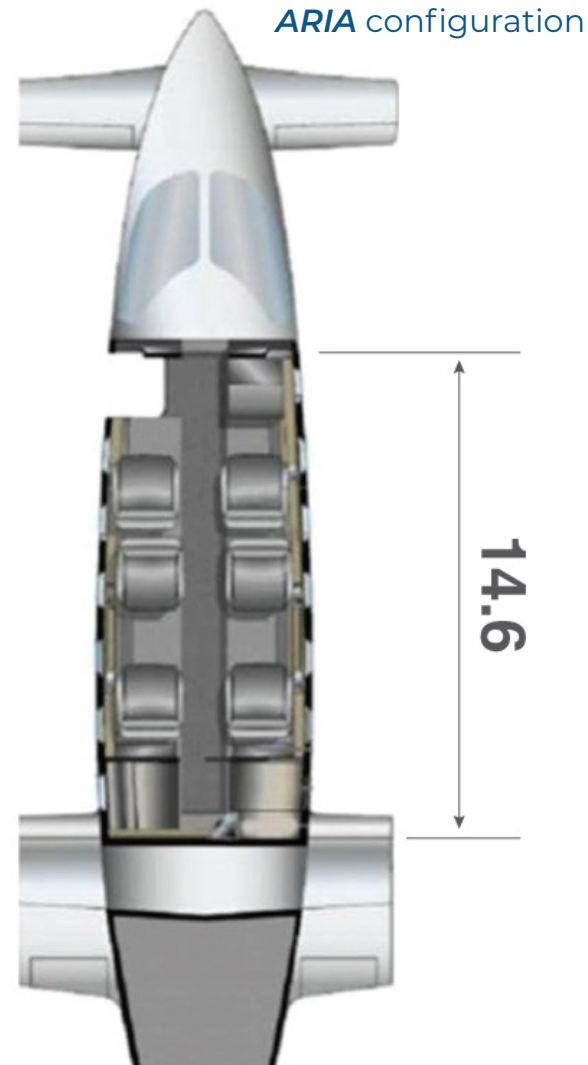
# 2009 PIAGGIO AVANTI II SN 1200

## INTERIOR

PASSENGERS	7 passenger executive in athens sand drift leather (tan)
CABIN LAYOUT	4 seats in aft club, 2 single forward seats
LAVATORY	Aft belted toilet seat opposite optional sink
COCKPIT	2 sheepskin crew seats
CABINetry	Midship pyramid cabinets, Aft pyramid cabinets, and Aft storage closet
TABLES	2 executive tables
CARPETING	Dark brown replaced Nov 2021 (sample fabric shown below)
SHADES	Lou Martin window shades
DATE	May 2018

## EXTERIOR

BASE COLOR	Axalta white pearl
STRIPE COLOR	Fighter blue
BELLY COLOR	Cumulus gray
DATE	May 2018



Specifications as of 1 November 2021. Specifications are provided as introductory information only and subject to verification upon inspection and should not provide a basis for reliance or create any other binding obligation. Verification of hours, installed equipment and aircraft condition is the sole responsibility of Purchaser or lessee. Some photos may be modified. Information has been provided by the Seller and has not been independently verified by Wetzel Aviation and Purchaser or lessee must rely on its own inspection.

**Experience Matters.**

+1 303 468 4800  
Info@WetzelAviation.com  
www.WetzelAviation.com

# 2009 PIAGGIO AVANTI II SN 1200



Specifications as of 1 November 2021. Specifications are provided as introductory information only and subject to verification upon inspection and should not provide a basis for reliance or create any other binding obligation. Verification of hours, installed equipment and aircraft condition is the sole responsibility of Purchaser or lessee. Some photos may be modified. Information has been provided by the Seller and has not been independently verified by Wetzel Aviation and Purchaser or lessee must rely on its own inspection.

**Experience Matters.**

+1 303 468 4800  
Info@WetzelAviation.com  
www.WetzelAviation.com

## 2009 PIAGGIO AVANTI II SN 1200



Specifications as of 1 November 2021. Specifications are provided as introductory information only and subject to verification upon inspection and should not provide a basis for reliance or create any other binding obligation. Verification of hours, installed equipment and aircraft condition is the sole responsibility of Purchaser or lessee. Some photos may be modified. Information has been provided by the Seller and has not been independently verified by Wetzel Aviation and Purchaser or lessee must rely on its own inspection.

**Experience Matters.**

+1 303 468 4800  
Info@WetzelAviation.com  
www.WetzelAviation.com

## 2009 PIAGGIO AVANTI II SN 1200



Specifications as of 1 November 2021. Specifications are provided as introductory information only and subject to verification upon inspection and should not provide a basis for reliance or create any other binding obligation. Verification of hours, installed equipment and aircraft condition is the sole responsibility of Purchaser or lessee. Some photos may be modified. Information has been provided by the Seller and has not been independently verified by Wetzel Aviation and Purchaser or lessee must rely on its own inspection.

**Experience Matters.**

**+1 303 468 4800**  
**Info@WetzelAviation.com**  
**www.WetzelAviation.com**

## 2009 PIAGGIO AVANTI II SN 1200



Specifications as of 1 November 2021. Specifications are provided as introductory information only and subject to verification upon inspection and should not provide a basis for reliance or create any other binding obligation. Verification of hours, installed equipment and aircraft condition is the sole responsibility of Purchaser or lessee. Some photos may be modified. Information has been provided by the Seller and has not been independently verified by Wetzel Aviation and Purchaser or lessee must rely on its own inspection.

**Experience Matters.**

**+1 303 468 4800**  
**Info@WetzelAviation.com**  
**www.WetzelAviation.com**



## 2009 PIAGGIO AVANTI II SN 1200



Specifications as of 1 November 2021. Specifications are provided as introductory information only and subject to verification upon inspection and should not provide a basis for reliance or create any other binding obligation. Verification of hours, installed equipment and aircraft condition is the sole responsibility of Purchaser or lessee. Some photos may be modified. Information has been provided by the Seller and has not been independently verified by Wetzel Aviation and Purchaser or lessee must rely on its own inspection.

**Experience Matters.**

**+1 303 468 4800**  
**Info@WetzelAviation.com**  
**www.WetzelAviation.com**

## 2009 PIAGGIO AVANTI II SN 1200



Specifications as of 1 November 2021. Specifications are provided as introductory information only and subject to verification upon inspection and should not provide a basis for reliance or create any other binding obligation. Verification of hours, installed equipment and aircraft condition is the sole responsibility of Purchaser or lessee. Some photos may be modified. Information has been provided by the Seller and has not been independently verified by Wetzel Aviation and Purchaser or lessee must rely on its own inspection.

**Experience Matters.**

+1 303 468 4800  
[Info@WetzelAviation.com](mailto:Info@WetzelAviation.com)  
[www.WetzelAviation.com](http://www.WetzelAviation.com)

## 2009 PIAGGIO AVANTI II SN 1200



Specifications as of 1 November 2021. Specifications are provided as introductory information only and subject to verification upon inspection and should not provide a basis for reliance or create any other binding obligation. Verification of hours, installed equipment and aircraft condition is the sole responsibility of Purchaser or lessee. Some photos may be modified. Information has been provided by the Seller and has not been independently verified by Wetzel Aviation and Purchaser or lessee must rely on its own inspection.

**Experience Matters.**

+1 303 468 4800  
Info@WetzelAviation.com  
www.WetzelAviation.com

## 2009 PIAGGIO AVANTI II SN 1200



Specifications as of 1 November 2021. Specifications are provided as introductory information only and subject to verification upon inspection and should not provide a basis for reliance or create any other binding obligation. Verification of hours, installed equipment and aircraft condition is the sole responsibility of Purchaser or lessee. Some photos may be modified. Information has been provided by the Seller and has not been independently verified by Wetzel Aviation and Purchaser or lessee must rely on its own inspection.

**Experience Matters.**

**+1 303 468 4800**  
**Info@WetzelAviation.com**  
**www.WetzelAviation.com**

## 2009 PIAGGIO AVANTI II SN 1200



Specifications as of 1 November 2021. Specifications are provided as introductory information only and subject to verification upon inspection and should not provide a basis for reliance or create any other binding obligation. Verification of hours, installed equipment and aircraft condition is the sole responsibility of Purchaser or lessee. Some photos may be modified. Information has been provided by the Seller and has not been independently verified by Wetzel Aviation and Purchaser or lessee must rely on its own inspection.

**Experience Matters.**

+1 303 468 4800  
Info@WetzelAviation.com  
www.WetzelAviation.com

## 2009 PIAGGIO AVANTI II SN 1200



Specifications as of 1 November 2021. Specifications are provided as introductory information only and subject to verification upon inspection and should not provide a basis for reliance or create any other binding obligation. Verification of hours, installed equipment and aircraft condition is the sole responsibility of Purchaser or lessee. Some photos may be modified. Information has been provided by the Seller and has not been independently verified by Wetzel Aviation and Purchaser or lessee must rely on its own inspection.

**Experience Matters.**

**+1 303 468 4800**

**Info@WetzelAviation.com**

**www.WetzelAviation.com**



**Experience Matters.**

-SALES -ACQUISITIONS -CONSULTING

Wetzel Aviation appreciates the interest that you have in our client's aircraft. We are a global leader in aviation consulting offering aviation acquisition, resale, and leasing strategies on behalf of our valued customers. Wetzel Aviation is a member of the International Aircraft Dealers Association and adheres to a strict member code of ethics. Your Experience Matters to us and our team of IADA Certified industry professionals. Our network of knowledgeable industry partners assure that you experience solid aviation solutions. We look forward to working with you.

